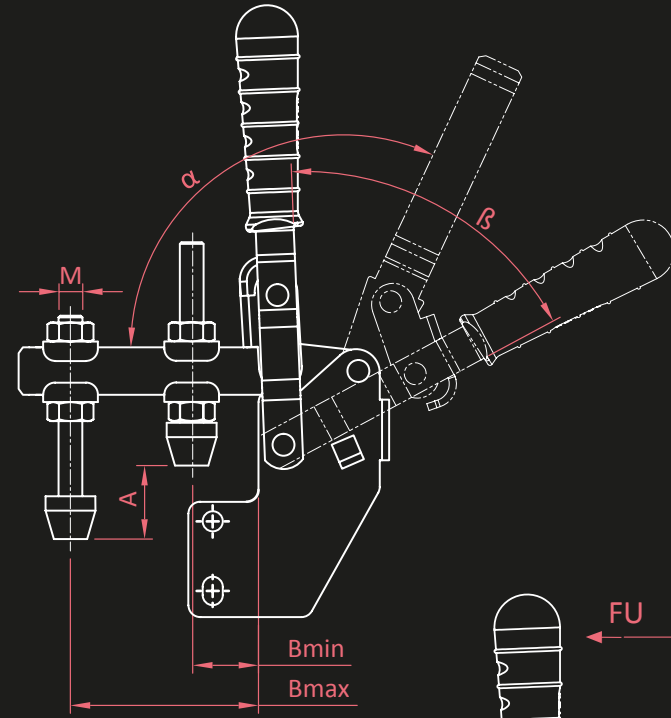




AÇI ve HAREKET ANALİZİ
ANGLE and MOTION ANALYSIS

| MODEL KODU | α (+-2°) | β (+-2°) | A | B min | B max | M | AĞIRLIK KG (WEIGHT) |
|------------|-----------------|----------------|----|-------|-------|--------|---------------------|
| 1101 P | 82 | 52 | 16 | 7 | 23 | M5x35 | 0.12 |
| 1102 P | 96 | 54 | 32 | 8 | 32 | M6x55 | 0.23 |
| 1103 P | 97 | 58 | 28 | 11 | 42 | M8x62 | 0.48 |
| 1104 P | 115 | 64 | 33 | 20 | 78 | M10x75 | 0.83 |
| 1105 P | 120 | 67 | 37 | 22 | 100 | M12x85 | 1.60 |



KUVVET ANALİZİ
FORCE ANALYSIS

| MODEL KODU | X | X1 | X2 | Y | FT1 (N) | FT2 (N) | FB1 (N) | FB2 (N) | FU | |
|------------|------|----|-----|-----|---------|---------|---------|---------|--------|--------|
| | | | | | | | | | FB1:FU | FB2:FU |
| 1101 P | 37 | 38 | 56 | 115 | 745 | 460 | 575 | 375 | 10:1 | 5:1 |
| 1102 P | 48,5 | 44 | 71 | 152 | 1050 | 730 | 800 | 550 | 12:1 | 8:1 |
| 1103 P | 55 | 55 | 100 | 205 | 2500 | 1575 | 2100 | 1450 | 12:1 | 8:1 |
| 1104 P | 68 | 67 | 143 | 245 | 3300 | 2200 | 2900 | 1900 | 12:1 | 8:1 |
| 1105 P | 88 | 97 | 175 | 284 | 4500 | 2600 | 4300 | 2200 | 12:1 | 8:1 |

